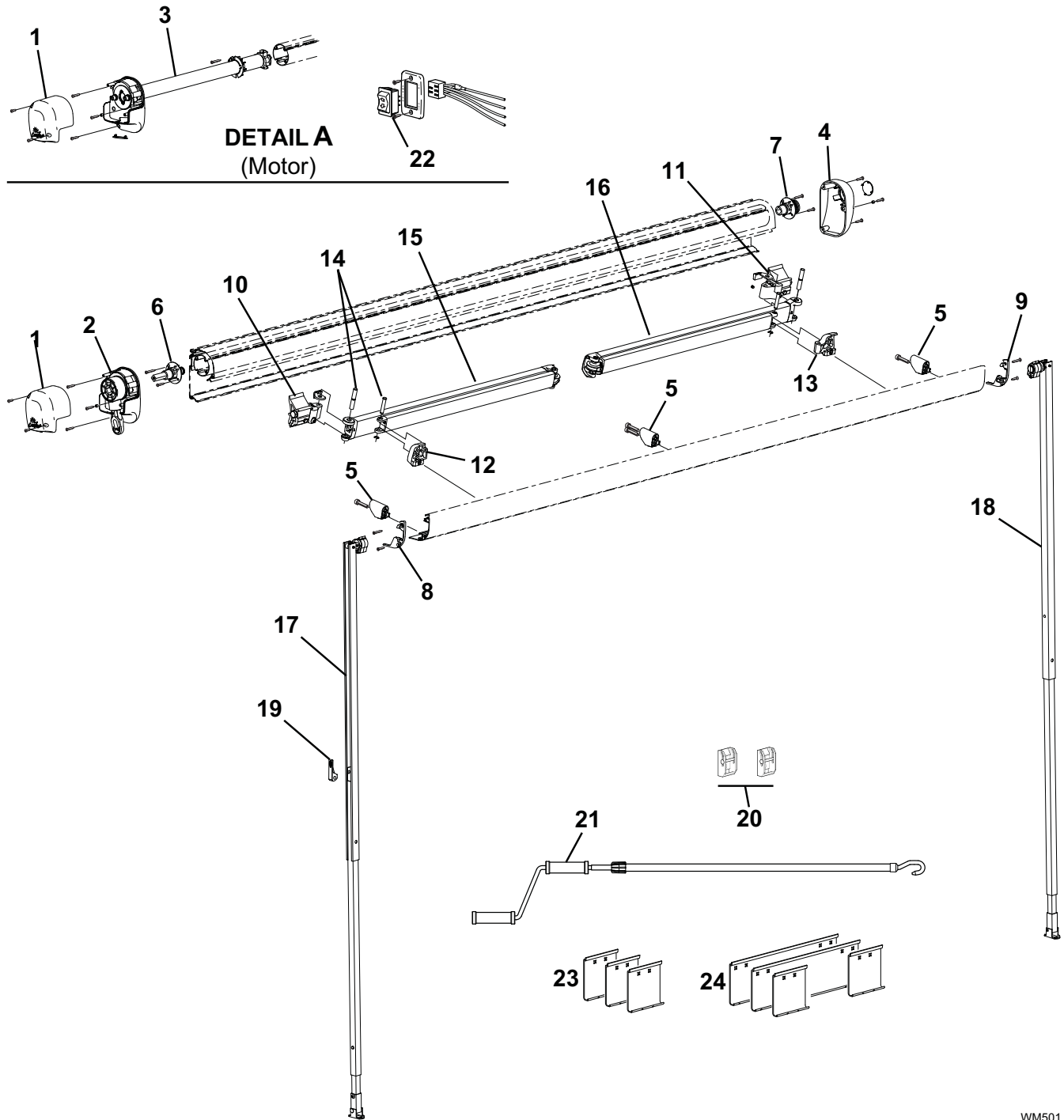


FREEDOM WM ILLUSTRATED PARTS LIST



WM501

Item	Part Number	Description	Notes
1	R001618WHT	Endcap, LH, Top, White	
	R001618BLK	Endcap, LH, Top, Black	
	R001618GRY	Endcap, LH, Top, Satin	
2	R001619WHT	Gear Assy, Manual Crank, White	1
	R001619BLK	Gear Assy, Manual Crank, Black	1
	R001619SAT	Gear Assy, Manual Crank, Satin	1
3	R001637WHT	Motor Assy, LH, White	2
	R001637BLK	Motor Assy, LH, Black	2
	R001637GRY	Motor Assy, LH, Satin	2
4	R001620WHT	Endcap, RH, White	
	R001620BLK	Endcap, RH, Black	
	R001620GRY	Endcap, RH, Satin	
5	R001621	Ramp Kit, Leadrail	
6	R001622	Roller Tube Endplug, LH	
7	R001623	Roller Tube Endplug, RH	
8	R001624WHT	End Plate, Lead Rail, LH, White	
	R001624BLK	End Plate, Lead Rail, LH, Black	
	R001624GRY	End Plate, Lead Rail, LH, Satin	
9	R001625WHT	End Plate, Lead Rail, RH, White	
	R001625BLK	End Plate, Lead Rail, RH, Black	
	R001625GRY	End Plate, Lead Rail, RH, Satin	
10	R001626	Knuckle Assy, Case, LH	3
11	R001627	Knuckle Assy, Case, RH	3
12	R001628	Assy, Pivot, LH	3
13	R001629	Assy, Pivot, RH	3
14	R001630	Hardware Pack, Arm Attach, 1 Arm	
15	R012530-TB76L	Spring Arm Assy, LH	Used with 2.57 Meter 3
	R012530-TB94L	Spring Arm Assy, LH	Used with 3 Meter & Up 3
16	R012530-TB76R	Spring Arm Assy, RH	Used with 2.57 Meter 3
	R012530-TB94R	Spring Arm Assy, RH	Used with 3 Meter & Up 3
17	R012572-23L41	Vertical Support Leg, LH	Used with 2.57 Meter
	R012572-23L52	Vertical Support Leg, LH	Used with 3 Meter & Up
18	R012572-23R41	Vertical Support Leg, RH	Used with 2.57 Meter
	R012572-23R52	Vertical Support Leg, RH	Used with 3 Meter & Up
19	R00144	Flipper Latch Kit	
20	R019283-001	Kit, Bottom Bracket, Satin	qty: 2
	R019283-005	Kit, Bottom Bracket, White	qty: 2
	R019283-006	Kit, Bottom Bracket, Black	qty: 2
21	R001546	Crank, Telescoping	
22	R001605	Switch Kit	
23	R019311-001	Hardware Pack, FreedomWM, 2.57-4m	
24	R019311-003	Hardware Pack, FreedomWM, 4.5-5m	

- NOTES
1. Gear Assy (item 2) includes gear and inner endcap assembled. Parts not available separately.
 2. Motor Assy (item 3) includes motor, inner endcap, crown and drive assembled. Parts not available separately.
 3. Attaching hardware not included with assemblies. Order item 14.