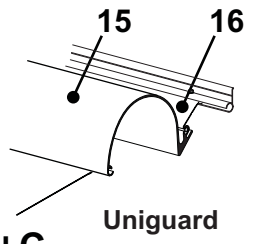
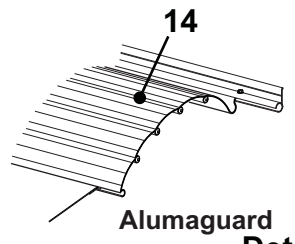
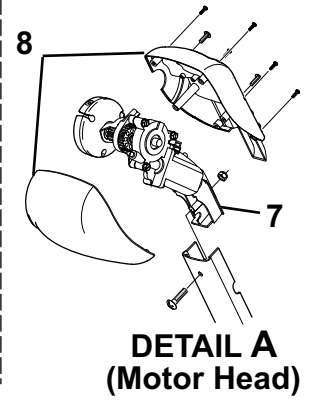
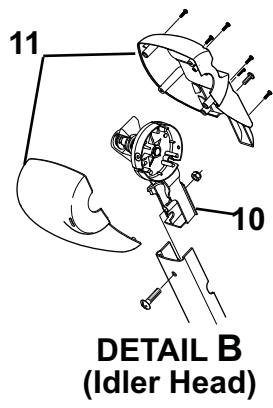
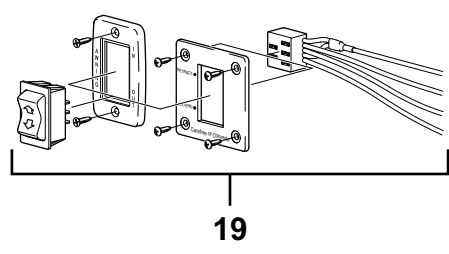
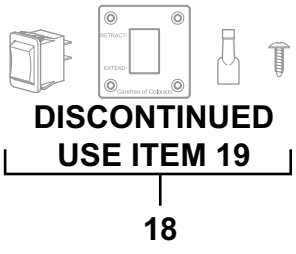
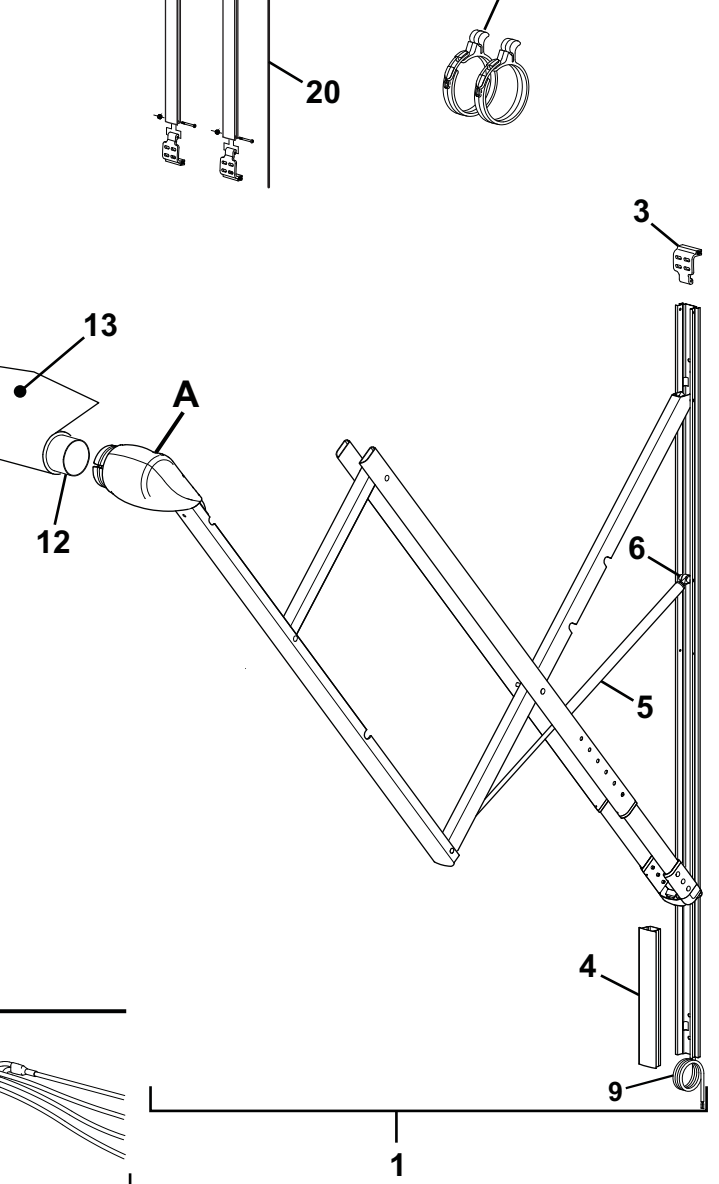
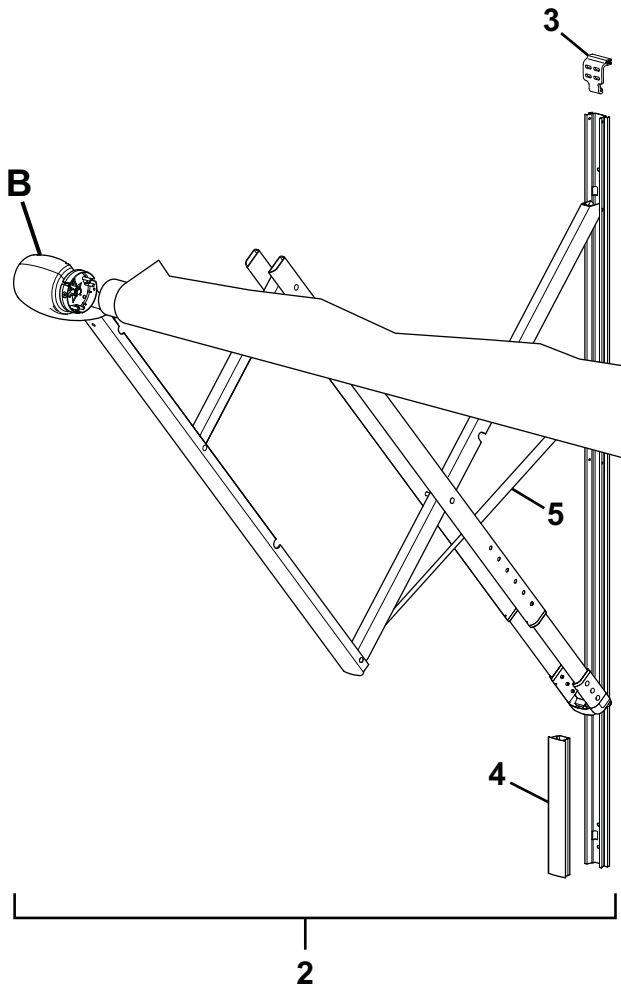
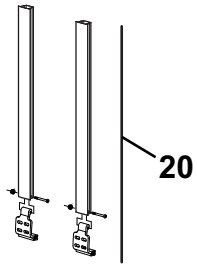


TRAVEL'R, ADJUSTABLE PITCH ILLUSTRATED PARTS LIST



Detail C



TravelR503

Item	Part Number	Description	Notes
1	Contact Carefree for	1/2 Set Hardware, Arm Assy, Motorized, RH	
2	order information	1/2 Set Hardware, Arm Assy, Idler, LH	
3	R001094XXX	Top Mounting Bracket	Used w/ Aftermarket Only
4	R076815-005	Fascia	White
	R076815-006	Fascia	Black
5	R001252	Gas Shock	
6	R001576	Shock Hardware Kit	
7	R001326XXX	Kit, Motor Assy	
8	R001328XXX	Kit, Motor Cover	
9	R060414-006	Cable, Motor	
10	R001327XXX	Kit, Idler Assy	2
11	R001329XXX	Kit, Idler Cover	2
12	19xx00	Roller Tube, 3-slot	3 1/2" Dia
13		Canopy	Refer to Canopy Order Form
14	20xxx36XXX	Alumaguard Assembly Only	
15	R001246XXX-xxx	Uniguard Only	
16	R001247XXX-xxx	Soft Connect	4.25" Wide
	R001247XXX-xxxT	Soft Connect	5.25" Wide
17	R00928	Tractioner	set of two
18	<i>Discontinued</i>	Kit, Single Switch Series II (4 prongs)	
19	R001605	Switch Kit	3
20	R014634-025	Extension Kit	White
	<i>The following parts are not shown</i>		
21	R014492-251	Hardware Pack, w/Top Bracket	White
22	R014492-JV1	Hardware Pack, w/Top Bracket	Black

- Notes:
1. XXX = Color; xxx= Length in inches.
 2. Head cover kits include one front cover, one rear cover and screws.
 3. Switch kit includes switch, faceplates, screws and connector.