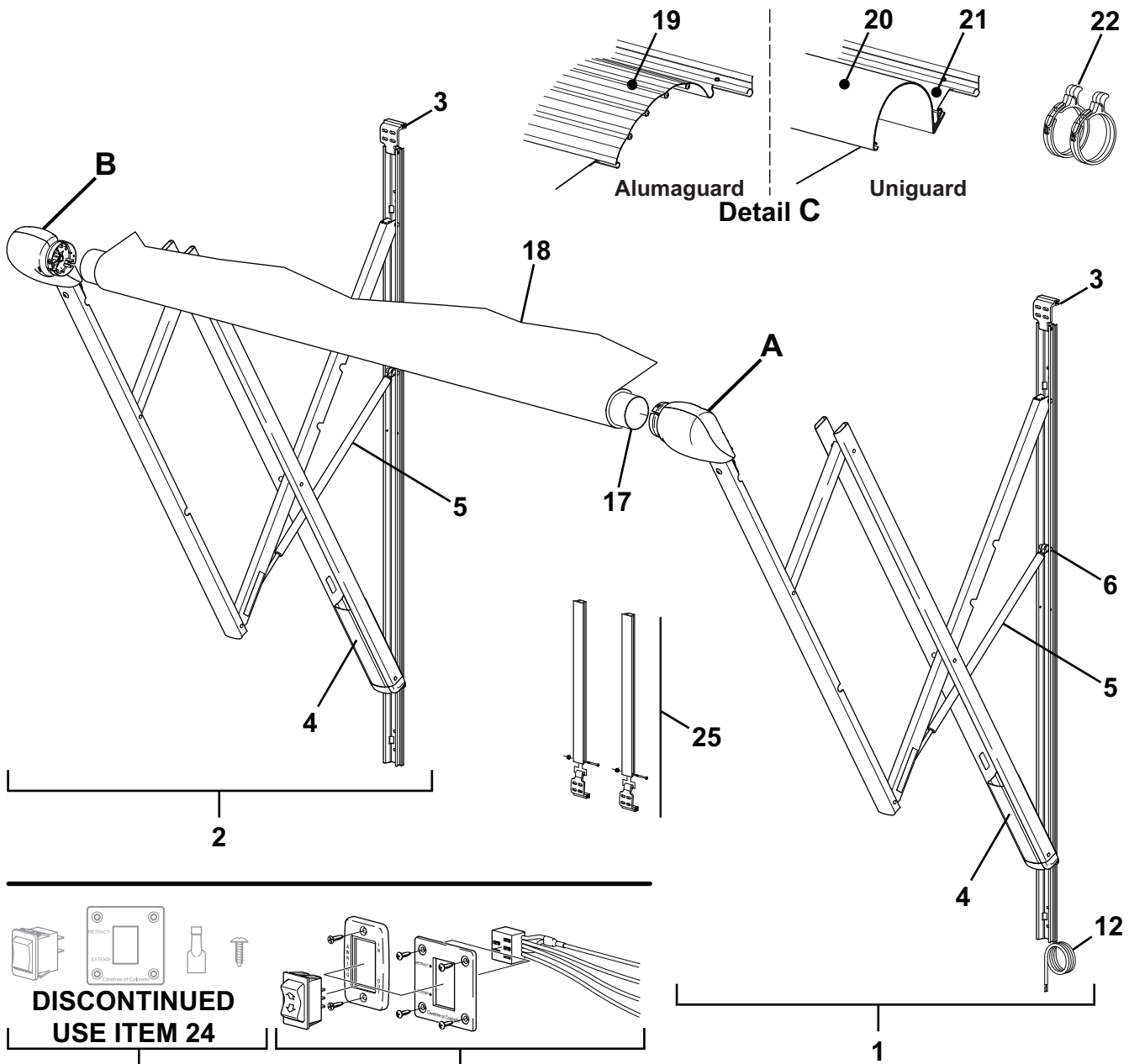
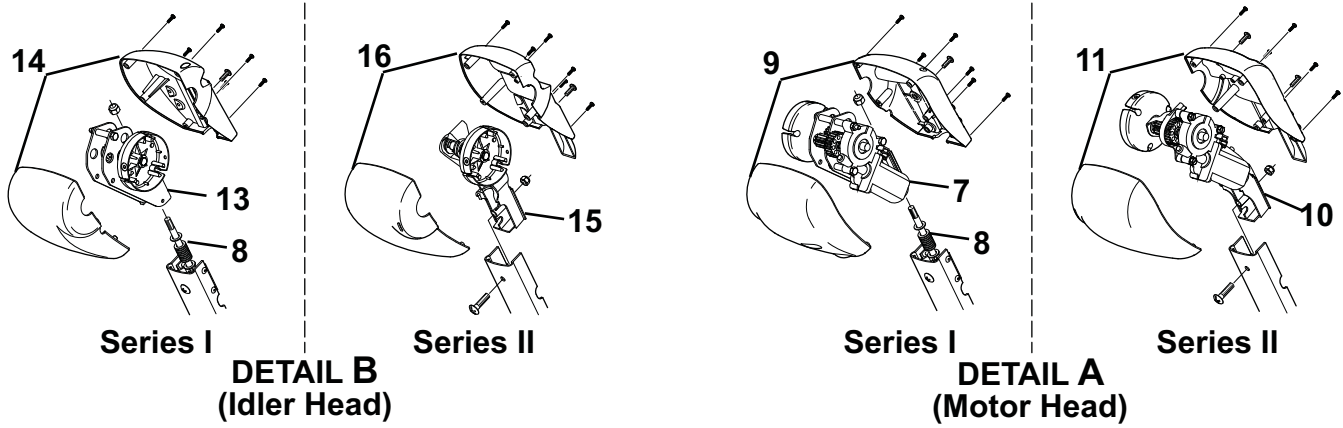


TRAVEL'R, FIXED PITCH ILLUSTRATED PARTS LIST



TravelR502

<b>Item</b>	<b>Part Number</b>	<b>Description</b>	<b>Notes</b>	
1	Contact Carefree for Order Information	1/2 Set Hardware, Arm Assy, , Motorized, RH	Flat Pitch	2
2		1/2 Set Hardware, Arm Assy, , Motorized, RH	Steep Pitch	2
2	Information	1/2 Set Hardware, Arm Assy, , Idler, LH	Flat Pitch	2
3		1/2 Set Hardware, Arm Assy, , Idler, LH	Steep Pitch	2
3	R001094XXX	Top Mounting Bracket	Used w/ Aftermarket Only	
4	R001532XXX	Fascia, 11"	Flat Pitch	3
5	R001533XXX	Fascia, 3"	Steep Pitch	3
5	R001252	Gas Shock	Flat Pitch	
6	R001331	Gas Shock	Steep Pitch	
6	R001576	Shock Hardware Kit		
7	R001104XXX	Motor Assy	Series I	
8	R001323	Kit, Head Attach Hardware	Series I	
9	R001324XXX	Kit, Motor Cover	Series I	4
10	R001326XXX	Kit, Motor Assy	Series II	5
11	R001328XXX	Kit, Motor Cover	Series II	4
12	R060414-006	Cable, Motor		
13	R001107XXX	Idler Assy	Series I	
14	R001325XXX	Kit, Idler Cover	Series I	4
15	R001327XXX	Kit, Idler Assy	Series II	5
16	R001329XXX	Kit, Idler Cover	Series II	4
17	19xx00	Roller Tube,3-slot	3 1/2" Dia	
18		Canopy	Refer to Canopy Order Form	
19	20xxx36XXX	Alumaguard Assembly Only		
20	R001246XXX-xxx	Uniguard (includes soft connect)		
21	R001247XXX-xxx	Soft Connect	4.25" Wide	
22	R001247XXX-xxxT	Soft Connect	5.25" Wide	
22	R00298	Tractioner	set of two	
23	<i>Discontinued</i>	Kit, Single Switch	4 prong switch	
23	<i>Discontinued</i>	Kit, Single Switch	6 prong switch	
24	R001605	Kit Single Switch		6
25	R014634-025	Extension Kit, White		
	<i>The following parts are not shown</i>			
26	R014492-251	Hardware Pack, w/ Top Bracket	White	
27	R014489-JV1	Hardware Pack, w/ Top Bracket	Black	

- Notes:
1. XXX = Color; xx = Length in inches.
  2. Arm assemblies are configuration specific and cannot be interchanged. When ordering, provide the following information: part number, serial number, flat/steep pitch.
  3. Fascia kit includes one fascia and screws.
  4. Head cover kits include one front cover, one rear cover and screws.
  5. Series II replacement motor and idler assemblies includes screw and nut.
  6. Switch kit includes switch, faceplates, screws and connector.